

# Model 6228A

## SOFT SERVE FREEZER

### Application

Single flavor, Countertop, Pump feed,

Great for all popular soft serve variations. Ice Cream, Frozen Yogurt, Custards and Sorbet. High volume constant product quality from a small machine.

### Freezing Cylinder

One • 1.8 quarts

### Mix Hopper

10.6 quarts with standard hopper agitation  
Separate hopper refrigeration maintains mix temperature below 40°F

### Mix Low Indicator

When mix level is low, the Mix Low light turns "ON" to alert operator to add mix. Compressor shut down setting prevents freeze up or machine damage.

### Standby

The standby feature maintains safe product temperature in the mix hoppers and freezing cylinders below 40° during long no-use periods.

### Microprocessor Controls

Automatically regulates refrigeration and maintains consistent product quality by controlling product temperature and viscosity. Can be set to go into standby automatically.

### Counter

Records number of dispenses per day and total number of dispenses.

### Temperature Display

Displays hopper and cylinder temperature.

### Output

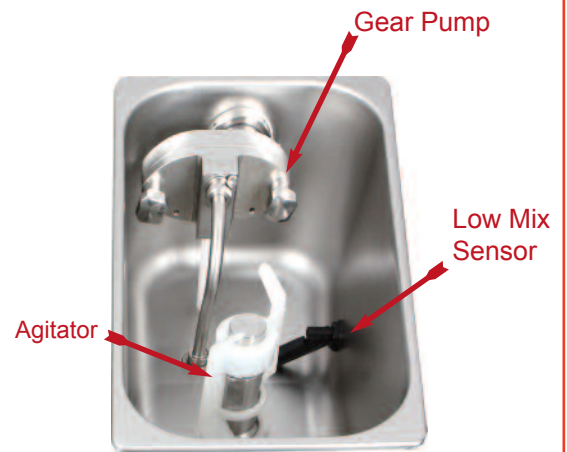
100 servings per hour.  
(Serving size 4 ounces by weight)

### Safety Protections

- Low temperature sensors and motor overload circuit switch will protect the cylinder from over freezing.
- High pressure switch prevents compressor overheat
- Thermal overload protects from motor overheat



**Flexible Blade Beater**  
Higher capacity, higher overrun



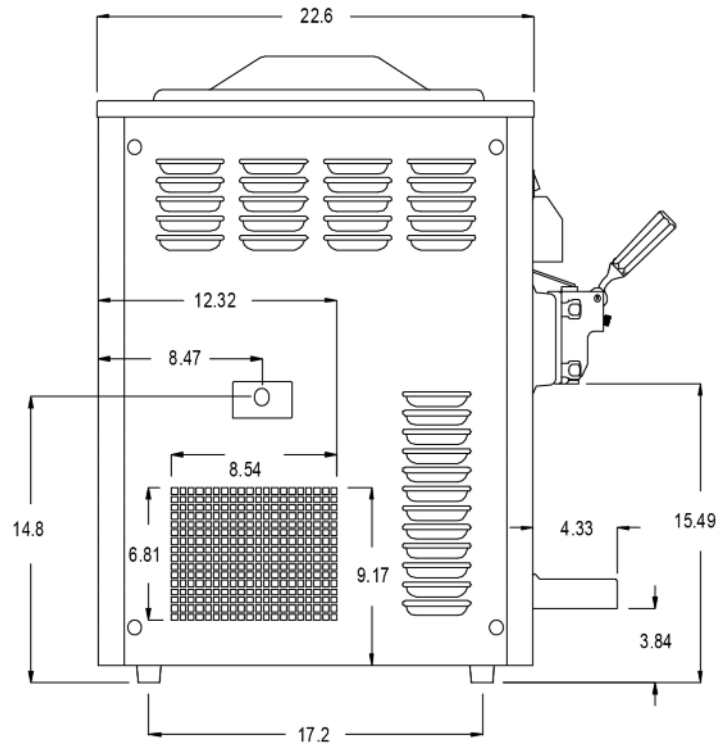
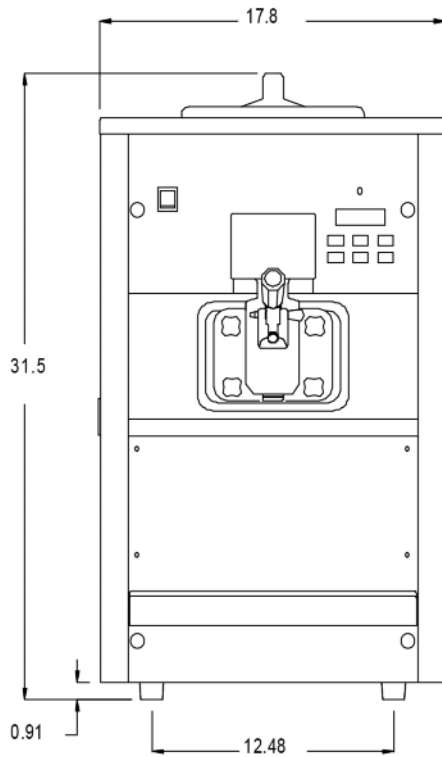
MODEL 6228A



**AUTHORIZED DEALER**  
**H&M Company USA, Inc.**  
700 Aldo Ave. • Santa Clara, CA 95054  
sales@hmcompanyusa.com  
www.HMCompanyUSA.com

**U.S. IMPORTER:**  
**SpaceMan International USA, Inc.**  
805-927-2257  
info@spacemanusa.com  
www.spacemanusa.com

# MODEL 6228A



## Specifications

Weight	Pounds
Net	265
Shipping	298

**Packaging Volume** 13 CBF

Dimensions	Net - inches	Shipping - inches
Width	17.8	20.1
Depth	22.6	29.1
Height	31.5	37.6

Electrical	Fuse Size	Minimum Circuit Amp	Poles (P) Wires(W)
208-230/60/1	20	16	3P/3W

This unit may be manufactured in other electrical characteristics. Refer to the local Distributor for availability. (For exact electrical information, always refer to the data label of the unit.)

### Note

Continuing research results in steady improvements, therefore, these specifications are subject to change without notice.

## Electrical

One dedicated electrical connection is required. Unit shall be cord connected or permanently connected. Consult your local Spaceman distributor for receptacle specifications.

## Beater Motor

One @ 1.2 HP

## Refrigeration System

Main refrigeration:

One compressors: @ 4400 BTU/hr. R404a

Separate hopper refrigeration:

One compressor: 480 BTU/hr. R134a

## Air Cooled

To ensure adequate cooling, there must be a clearance of 6-inch on each side of this machine. The rear of the unit may be placed against a wall.

Spaceman Factory in China is:  
ISO 9001: 2008 Registered Firm

Spaceman machines are sold by Distributors in specific territories. Contact the Distributor responsible for your Territory.



**For Sales & Service Contact:**  
H&M Company USA, Inc. (408) 899-9068 | sales@hmcompanyusa.com